

ACE
—LED Light—

10 years
warranty

170 lm/w



LED Area Light

Premium Warranty **Cover Labor Cost**
Up to 170LM/W, 8-10 Years Warranty



Superior Design, Affordable Price

Superior optical design provides superior illumination and precise glare control. Unique cooling channel design makes efficient heat dissipation and ensures a longer lifespan. Versatile mounting options all with an attractive price point. Whether you have a new construction or upgrade application, ACE Smart LED Area Luminaires are perfect for parking lots, internal roadways, walkways and general site lighting.

Benefits

- UL Cul **DLC Premium SAA** CE RoHS listed
- **Intelligent control:** PLC, Zigbee, Dali, GPRS, Photocell and Motion Sensor for maximum energy savings
- **Versatile mounting options,** Suitable for any application.
- **Highly efficient:** Up to **140lm/w** and Up to **170lm/w** optional
- **5-10 years Warranty**
- Easy to install, also retrofit into existing installations
- Type III/Type V lighting distributions meet various area lighting requirements

Smart LED Parking Lot/Area Luminaire



Product Specifications

- Input Wattage: 100W, 150W, 240W, 300W
- Input Voltage Range: 100-277VAC (347-480V available)
- System Efficiency: Up to 140lm/W and **170lm/w** optional
- Dimmability: 1-10V & PWM signal & Resistance
- Power Factor: 0.95+
- Distribution: Type III, Type V
- Color Temperature (CCT): 3000K, 4000K, 5000K, 5700K
- Color Rendering Index (CRI): 75+
- IP Rating: IP66 Outdoor Wet Locations • IK Rating: IK 08
- Operating Temperature: -40~50°C (-40~122°F)
- Warranty: 5 Years, **8 Years** and **10 Years** optional



Mounting Options

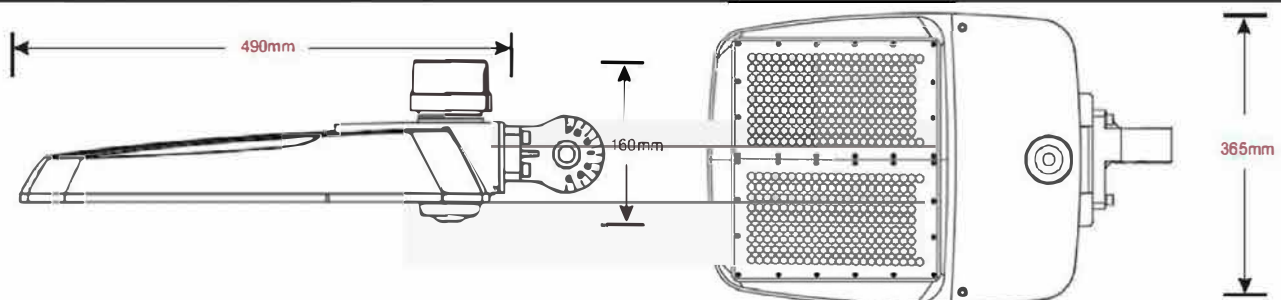
Arm Mount Bracket

Slip Fitter

Wall Mount Bracket



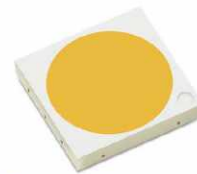
Dimensions



Highly Efficient

Philips Lumileds 3030-2D chips and Philips Lumileds 5050-2D chips, plus with Superior optical design, effectively collect the invalid light and reflect them into effective. System efficiency Up to **140lm/W** and Up to **170lm/w** optional

**PHILIPS
LUMILEDS**



Stable and Reliability

Adequate heat sinking area and excellent air flow design. plus with World's leading MeanWell HLG series LED Driver, Great luminaire stability, lifespan & Optimal Performance Status. **5-10 years warranty** optional.

Option of **motion sensor** for maximum energy savings

Intelligent use of Pir motion Sensors help ACE smart area light to meet stringent building codes such as CA Title 24 (requirements for bi-level dimming of lighting fixtures), ANSHERE, etc. Lighting energy savings of 50% or more. the sensor is capable of dimming lighting loads down to 0%*, 10%, 25%, or 50%, allowing maximum energy savings, maximum ROI. It supports fixture and ceiling mounts up to 40ft high.



Option of Photocell for maximum energy savings

Brand new designed optical components to achieve light off during the day while on during the night timely and automatically. Automatically switch on and off according to ambient brightness.

Applications

Parking



Flood



Walkway



Internal Roadway



Showcase Lighting (Car Dealerships)



Versatile mounting options

Suitable for any application

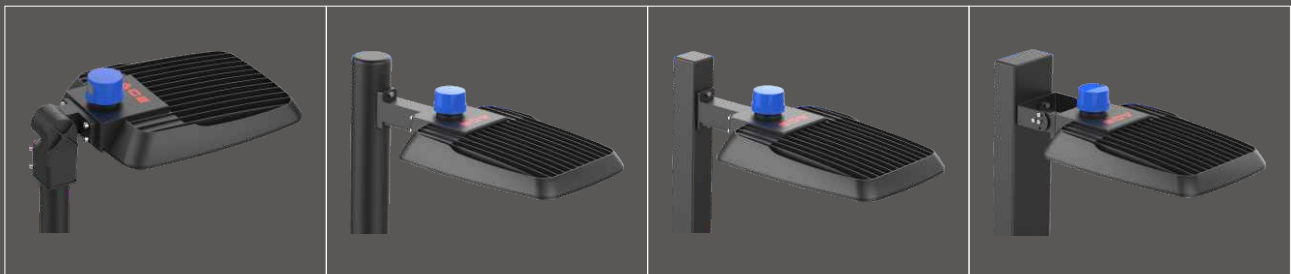


Slip Fitter

Round pole Arm Mount

Square Arm Mount

Wall Mount



Accessories



180° Double



180° Triple



90° Quad



Single



180° Twin



90° Triple



90° Quad



120° Triple

Custom options and accessories available, See Mounting Accessories Data

347V/480V (UL NO. E487257)

UL cUL DLC Premium certificate, Compatible Sensors

Intelligent use of Pir motion Sensors help ACE smart area light to meet stringent building codes such as CA Title 24 (requirements for bi-level dimming of lighting fixtures), ANSHERE, etc. Lighting energy savings of 50% or more . the sensor is capable of dimming lighting loads down to 10%, 25%, or 50%,allowing maximum energy savings, maximum ROI. It supports fixture and ceiling mounts up to 40ft high.



Option of **NEMA 3pin, 5pin, 7pin** **Photocontrol Socket**

for maximum energy savings , suitable for a variety of intelligent control

Packaging Information

MODEL	Watts/W	L	W	H	Gross Weight	Net Weight
A-SAL100	100W	640 mm	430 mm	190 mm	11kg	10.0 kg
A-SAL150	150W	640 mm	430 mm	190 mm	12.2 kg	11.0 kg
A-SAL150H	150W	640 mm	430 mm	190 mm	12.2 kg	11.0 kg
A-SAL200	200W	640 mm	430 mm	190 mm	12.4 kg	11.2 kg
A-SAL300	300W	640 mm	430 mm	190 mm	12.8 kg	11.6 kg
A-SAL300H	300W	640 mm	430 mm	190 mm	12.8 kg	11.6 kg

Ordering Information

MODEL SELECTION

Typical order example: A-SAL300-T3AM40

Family	Watts,Equivalency	Distribution	Mount	CCT	Finish	Voltage	Options
A-SAL							
A-SAL=ACE Smart LED Area Light	100=100W,300W-450W MH equivalent 150=150W,450W-750W MH equivalent 150H=150W,200-480V Input Voltage 240=240W,750W-1000W MH equivalent 300=300W,1000W-1500W MH equivalent 300H=300W,200-480V Input Voltage	T3=Type III Medium T5=Type V TC=Custom Optical	AM= Arm Mount WM= Wall Mount SF= Slip Fit Mount	30=3000K 40=4000K 50=5000K 57=5700K	DB=Dark Bronze , std BK=Black WH=White CC=CUSTOM Color	277= Universal 120-277V, std. 347= Universal 347V 480= Universal 480V	(OMIT)=None, std PS=Photosensor (3pin) PC=Rotatable Photocontrol Socket MS= Motion Sensor (PIR) <40 Ft

Custom options and accessories available

Accessories



180° Double



180° Triple



90° Quad



Single



Twin



180° Twin



90° Triple



90° Quad



120° Triple



Custom options and accessories available, See Mounting Accessories PDF

Validity of Offer: 1 Month | Sample's Delivery Time: Normally within 7 Days After Payment Received

ACE LED Light CO.,LTD

Tel: +86 0591-88235156 Fax: +86 0591-88235156 Contact: Jason Mob:86-13665067366

E-mail: Jason@aceledlight.com Web:www.aceledlight.com Skype: ace-Jason

Address:Building A-71, Pushang Industrial Park, 1 Hong Jiang Road, Cangshan, Fuzhou, China

Invite you to be Regional Exclusive Agent Premium Warranty Cover Labor Cost

Model Number	A-SAL100	A-SAL150	A-SAL240	A-SAL300
Input Wattage	100W	150W	240W	300W
Standard	Delivered Lumens (+/- 5%)	14000lm	21000lm	33600lm
	Efficiency (+/- 5%)	Up to 140lm/W		
	MH Equivalent Wattage	250W-400W	400W-600W	800W-1000W
Smart+	Delivered Lumens (+/- 5%)	17000lm	25500lm	40800lm
	Efficiency (+/- 5%)	Up to 170lm/W		
	MH Equivalent Wattage	400W-500W	700W-800W	1000W-1200W
Input Voltage	100-240VAC / 100-277VAC / 200-480VAC 50-60HZ			
CRI	70+ (80+ optional)			
CCT	5000K (3000K,4000K available)			
Beam Angle	Type III , Type IV , Type V			
IP Rating	IP66			
Warranty	5 Years (8 Years, 10 Years optional)			
Certifications	UL,cUL,DLC Premium,SAA,CE,RoHS			
Light body color	DB=Dark Bronze , std (BK=Black optional)			
Mount	AMS=Square pole Arm Mount	AMR=Round pole Arm Mount	WM= Wall Mount	SF= Slip Fit Moun
Control Options	ZG= Zigbee Control	DA=DALI Control	MS= Motion Sensor	PS=Photosensor (3pin)
	WF=WiFi Control	PL=PLC Control	DS= Daylight Sensor	PC7=NEMA 7pin Photocontrol Socket

Fuzhou ACE LED Light CO.,LTD

Headquarters Address: Building A-71, Pushang Industrial Park, Cangshan, Fuzhou, China

Tel: +86-591-88235156 Fax: +86-591-88235156

Shenzhen Branch Factory Address: Building E, Tianyou Maker High-tech Industrial Park,

No.2, Lixin Road, Fuyong Street, Shenzhen

Tel: +86-755-23062193 Fax: +86-755-23062192

E-mail: info@aceledlight.com Website: www.aceledlight.com

